

## **PRILOGA D: Kontrola nosilnosti in stabilnosti centričnega povezja v strehi**

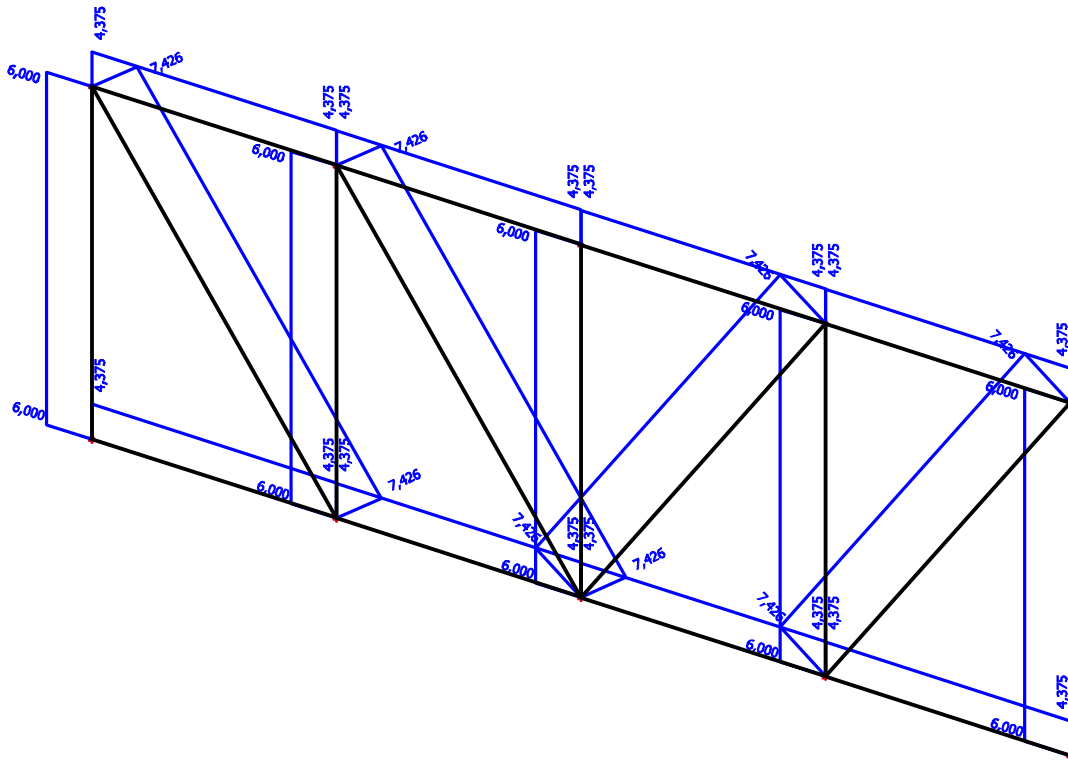


# 1. Steel slenderness

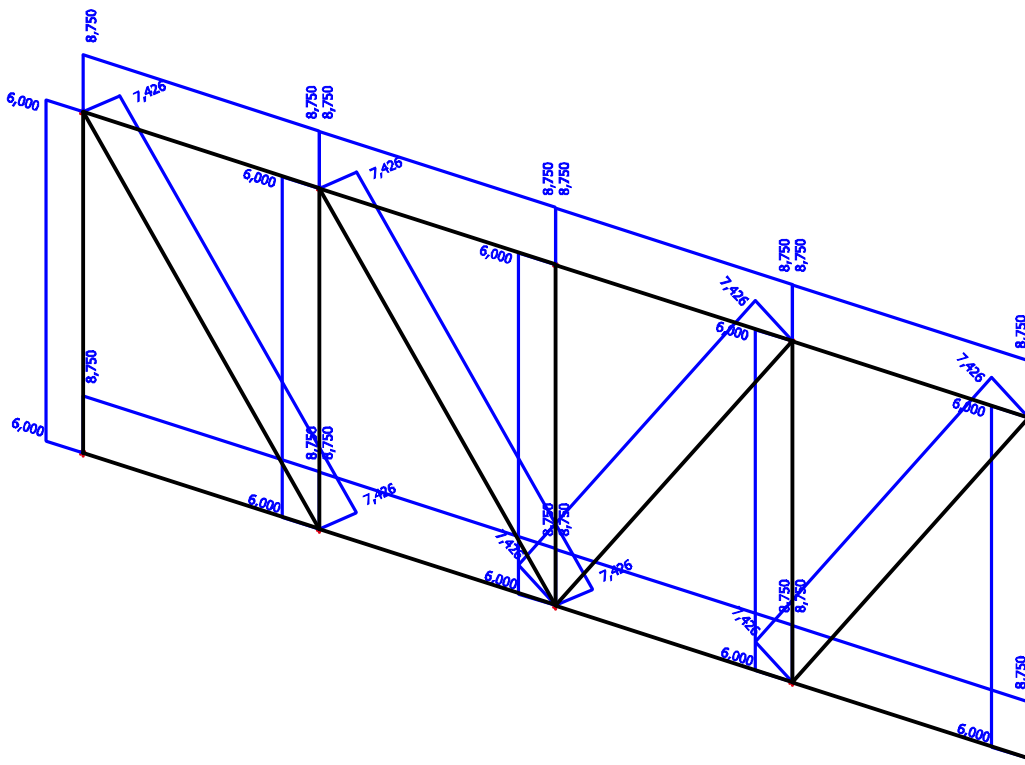
Linear calculation

Member	CS Name	Part	Sway y	Ly [m]	ky [-]	ly [m]	Lam y [-]	lyz [m]	I LTB [m]
			Sway z	Lz [m]	kz [-]	lz [m]	Lam z [-]		
B1	CS13	1	Yes	4,375	1,00	4,375	23,67	8,750	8,750
			No	8,750	1,00	8,750	212,45		
B2	CS12	1	Yes	6,000	1,00	6,000	156,34	6,000	6,000
			No	6,000	1,00	6,000	156,34		
B3	CS13	1	Yes	4,375	1,00	4,375	23,67	8,750	8,750
			No	8,750	1,00	8,750	212,45		
B4	CS10	1	Yes	6,000	1,00	6,000	195,63	6,000	6,000
			No	6,000	1,00	6,000	195,63		
B5	CS4	1	Yes	7,426	1,00	7,426	1855,27	7,426	7,426
			No	7,426	1,00	7,426	1855,27		
B6	CS13	1	Yes	4,375	1,00	4,375	23,67	8,750	8,750
			No	8,750	1,00	8,750	212,45		
B7	CS13	1	Yes	4,375	1,00	4,375	23,67	8,750	8,750
			No	8,750	1,00	8,750	212,45		
B8	CS10	1	Yes	6,000	1,00	6,000	195,63	6,000	6,000
			No	6,000	1,00	6,000	195,63		
B9	CS4	1	Yes	7,426	1,00	7,426	1855,27	7,426	7,426
			No	7,426	1,00	7,426	1855,27		
B10	CS13	1	Yes	4,375	1,00	4,375	23,67	8,750	8,750
			No	8,750	1,00	8,750	212,45		
B11	CS12	1	Yes	6,000	1,00	6,000	156,34	6,000	6,000
			No	6,000	1,00	6,000	156,34		
B12	CS13	1	Yes	4,375	1,00	4,375	23,67	8,750	8,750
			No	8,750	1,00	8,750	212,45		
B13	CS10	1	Yes	6,000	1,00	6,000	195,63	6,000	6,000
			No	6,000	1,00	6,000	195,63		
B14	CS4	1	Yes	7,426	1,00	7,426	1855,27	7,426	7,426
			No	7,426	1,00	7,426	1855,27		
B15	CS13	1	Yes	4,375	1,00	4,375	23,67	8,750	8,750
			No	8,750	1,00	8,750	212,45		
B16	CS13	1	Yes	4,375	1,00	4,375	23,67	8,750	8,750
			No	8,750	1,00	8,750	212,45		
B17	CS4	1	Yes	7,426	1,00	7,426	1855,27	7,426	7,426
			No	7,426	1,00	7,426	1855,27		

## 2. Iy



## 3. Iz



## 4. Result classes

### 4.1. Result classes - All ULS

Name	List
All ULS	MSU - Envelope - serviceability

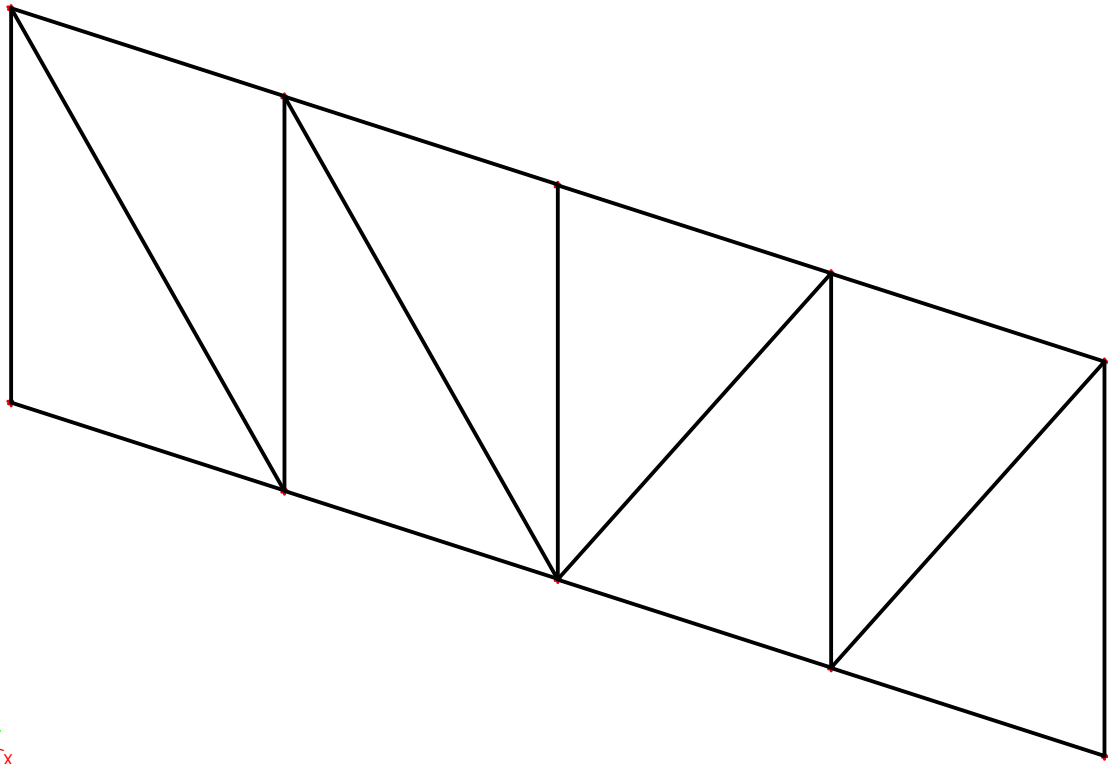
#### 4.1.1. Check of steel

Linear calculation, Extreme : Member

Selection : All

Class : All ULS

Member	css	mat	dx [m]	un.check [-]	sec.check [-]	stab.check [-]
B2	CS12 - VHP100/100x5.0	S 235	0,000	<b>0,00</b>	<b>0,00</b>	<b>0,00</b>
B3	CS13 - IPE450	S 235	0,000	0,00	0,00	0,00
B4	CS10 - VHP80/80x4.0	S 235	0,000	0,00	0,00	0,00
B5	CS4 - RND16	S 235	0,000	0,00	0,00	0,00
B6	CS13 - IPE450	S 235	0,000	0,00	0,00	0,00
B7	CS13 - IPE450	S 235	0,000	0,00	0,00	0,00
B8	CS10 - VHP80/80x4.0	S 235	0,000	0,00	0,00	0,00
B9	CS4 - RND16	S 235	0,000	0,00	0,00	0,00
B10	CS13 - IPE450	S 235	0,000	0,00	0,00	0,00
B11	CS12 - VHP100/100x5.0	S 235	0,000	0,00	0,00	0,00
B12	CS13 - IPE450	S 235	0,000	0,00	0,00	0,00
B13	CS10 - VHP80/80x4.0	S 235	0,000	0,00	0,00	0,00
B14	CS4 - RND16	S 235	0,000	0,00	0,00	0,00
B15	CS13 - IPE450	S 235	0,000	0,00	0,00	0,00
B16	CS13 - IPE450	S 235	0,000	0,00	0,00	0,00
B17	CS4 - RND16	S 235	0,000	0,00	0,00	0,00



Linear calculation, Extreme : Cross-section

Selection : All

Class : All ULS